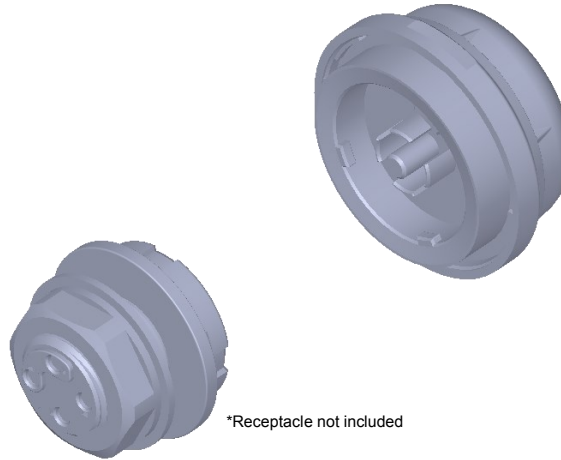


PSC-LS-100-ZA-DC0-BLE | Light Sensing Fixture Control Module

Overview

- Digital Photocell
- 0-10V Bi-level Dimming
- Active High output for Relay drive
- Bluetooth Mesh Enabled
- Zhaga Compatible Connector



*Receptacle not included

Applications

The PacWave™ Light Sensing Fixture Controller allows for one channels of 0-10 dimming, high relay control, and is made to fit into a Bluetooth mesh system. This unit measures the ambient light and relays the current level for automated lighting control. The Bluetooth Mesh module allows for wireless dimming of LED lighting and seamless integration of Bluetooth Mesh software solutions. The physical form is intended to be paired with the Zhaga standard receptacle.

This device can be powered by 12V auxiliary power from dim-to-off LED driver for east set-up and operation.

Wireless Control Operation

End users can program dimming levels and group multiple controls into a Bluetooth Mesh system for simultaneous wireless lighting control.

1 Channel Dimming: allows for one 0-10 dimming channel for driver control. The controller allows for Bluetooth Mesh system pairing with Bluetooth Mesh system providers.

Photocell: Allows for ambient daylight detection for automated lighting control.

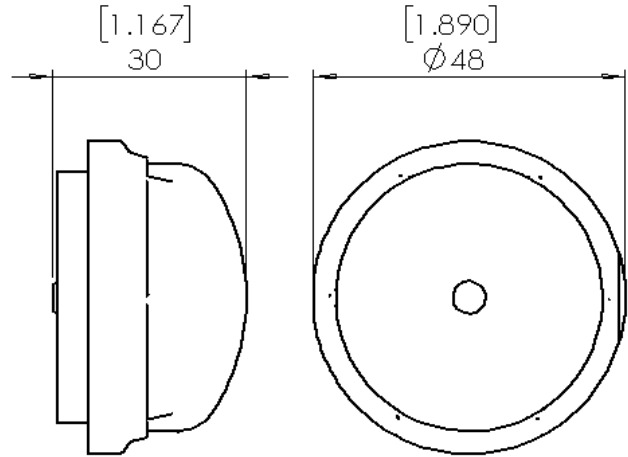
Relay Control: High control output can be used to trigger relays or other control circuitry.

How to Order

Model No.	Description	Input Voltage	Output	Input
PSC-LS-100-ZA-DC0-BLE-XX	Bluetooth® Mesh Fixture Controller Module w/ 0-10V Dimming and Relay Drive Output	12-24VDC	Control High 0-10V Dimming	

Summary	
Product Type	Light Sensing BLE Fixture Controller
Input Voltage	12-24 VDC
0-10V Sink	100 mA Max
Operating Temperature	-40° C to 85°C
Storage Temperature	-40° C to 85°C
Ingress Protection	IP 65 Rated
Mounting	Zhaga Compatible Receptacle
Color	White/Black
Warranty	5 years
Certification	

Physical Dimensions



Wireless Controller Block Diagram:

