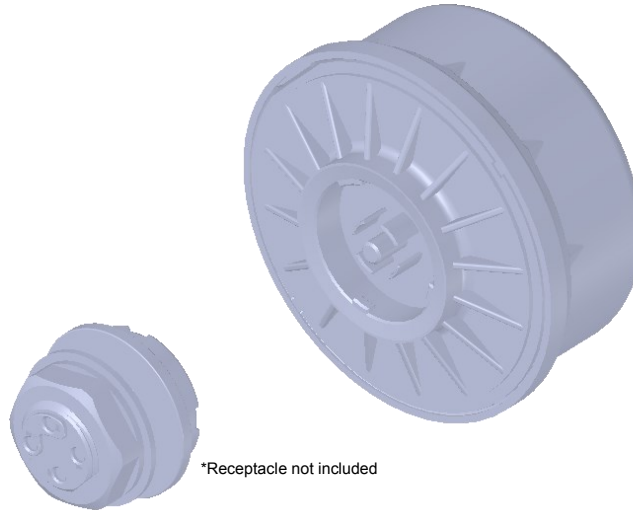


PSC-BL-M-ZA-DC0-BLE(-XX) | Wireless Fixture Control Module

Overview

- 10.25 GHz Microwave
- 0-10V Dimming Control
- Bluetooth Mesh Enabled
- Photocell for daylight sensing
- Zhaga Compatible Connector
- Active High Output
- Mounting height up to 40 ft.
- 360° coverage pattern
- Bluetooth® Mesh enabled



Applications

The PSC-BL-M-Z-DC0-BLE actively emits microwaves at 10.25 GHz frequency and uses the Doppler shift of the return waves to detect motion.

The sensor is suitable for a variety of indoor and outdoor applications. It supports Zhaga compatible receptacle mounting up to 40ft high. Sensor is IP 65 rated for use in temperatures ranging from -30° to 70°C.

This device can be powered by 12V auxiliary power from dim-to-off LED driver for east set-up and operation.

Wireless Control Operation

End users can program dimming levels and group multiple controls into a Bluetooth Mesh system for simultaneous wireless lighting control.

1 Channel Dimming: allows for one 0-10V dimming channel for driver control. The controller allows for Bluetooth Mesh system pairing with Bluetooth Mesh system providers.

Active High Output: High control output can be used to trigger relays or other control circuitry.

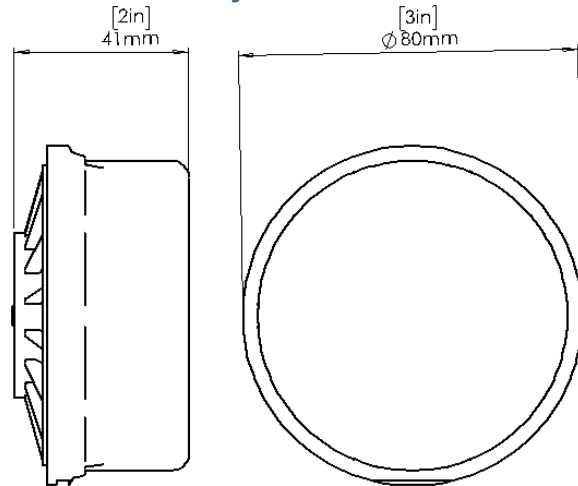
Accessories

How to Order

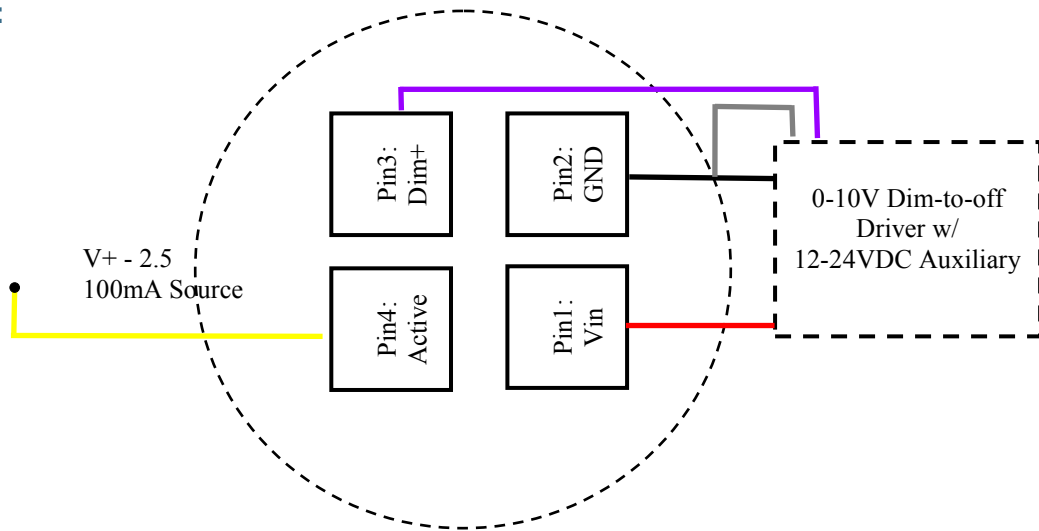
Model No.	Description	Input Voltage	Output	Input
PSC-BL-M-ZA-DC0-BLE(-XX)	Bluetooth® Mesh Microwave Sensor w/ 0-10V Dimming and Relay Drive Output	12-24VDC	Control High 0-10V Dimming	

Summary	
Product Type	Wireless BLE Fixture Controller
Input Voltage	12-24 VDC
0-10V Sink	100 mA Max
High	Vin-2.5 V 100 mA source
Sensor Input	12VDC Input
Operating Temperature	-40° C to 85°C
Storage Temperature	-40° C to 85°C
Ingress Protection	IP 65 Rated
Mounting	Zhaga Compatible Receptacle
Color	White/Black
Warranty	5 years
Certification	

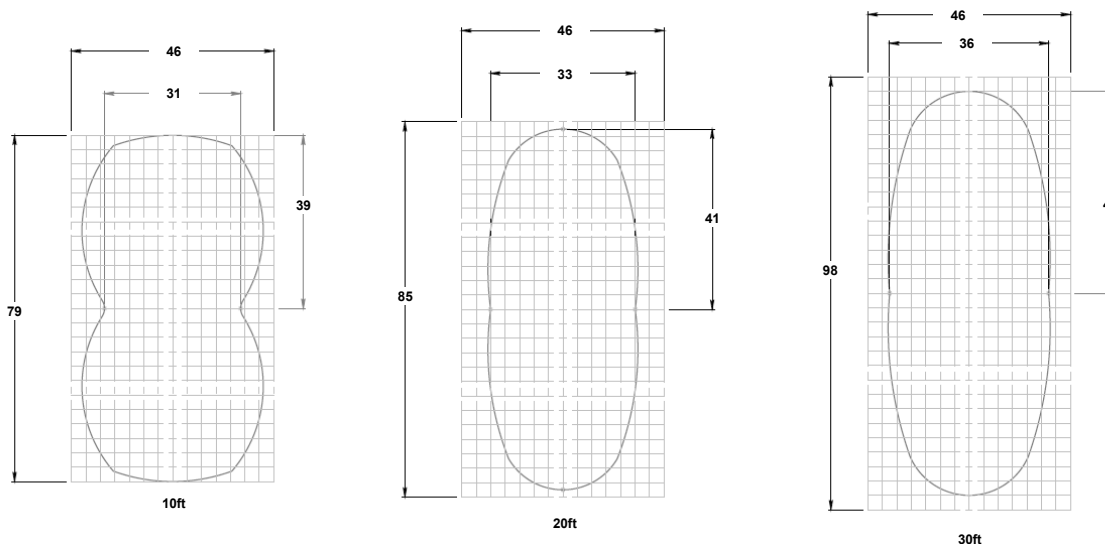
Physical Dimensions



Wireless Diagram:



Detection Area for 10ft, 20ft, 30ft Ceiling Mounted Heights



Note: Mount sensor with wires facing up (bottom mount) or side (side mount) and smooth face down for best performance (i.e. in ceiling mount application). Length of detection pattern (i.e. 79, 85, 98ft) is in line with the sensor face that has the trimpots/dipswitch.

All units shown are in feet.