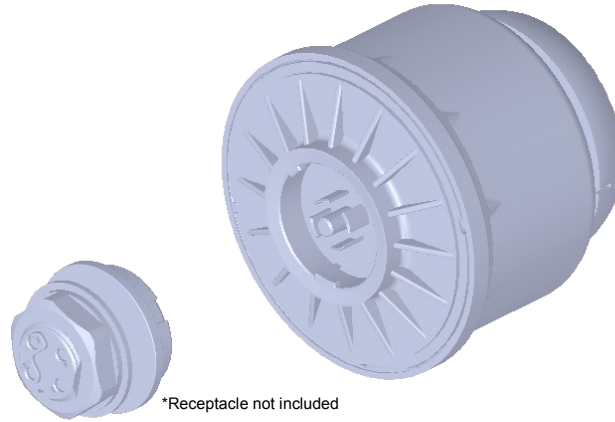


PSC-BL-I-ZA-DC0-BLE(-XX) | Wireless Fixture Control Module

Overview

- Quad Element PIR sensor
- 0-10V Dimming output
- Bluetooth Mesh Enabled
- Photocell for daylight sensing
- Zhaga Connector
- Active High output for Relay drive
- Mounting height up to 40 ft.
- 360° coverage pattern
- Bluetooth® Mesh enabled



*Receptacle not included

Applications

The PSC-BL-I-Z-DC0-BLE uses PIR motion detection architecture and quad element passive infrared (PIR) technology for improved detection coverage.

The PSC-BL-I-Z-DC0-BLE is a Class 2 Device designed to satisfy CA Title 24 requirements for bi-level dimming of lighting fixtures.

The sensor is suitable for a variety of indoor and outdoor applications. It supports Zhaga compatible receptacle mounting up to 40ft high. Sensor is IP 65 rated for use in temperatures ranging from -30° to 70°C.

This device can be powered by 12V auxiliary power from dim-to-off LED driver for easy set-up and operation.

Wireless Control Operation

End users can program dimming levels and group multiple controls into a Bluetooth® Mesh system for simultaneous wireless lighting control.

1 Channel Dimming: allows for one 0-10V dimming channel for driver control. The controller allows for Bluetooth Mesh system pairing with Bluetooth Mesh system providers.

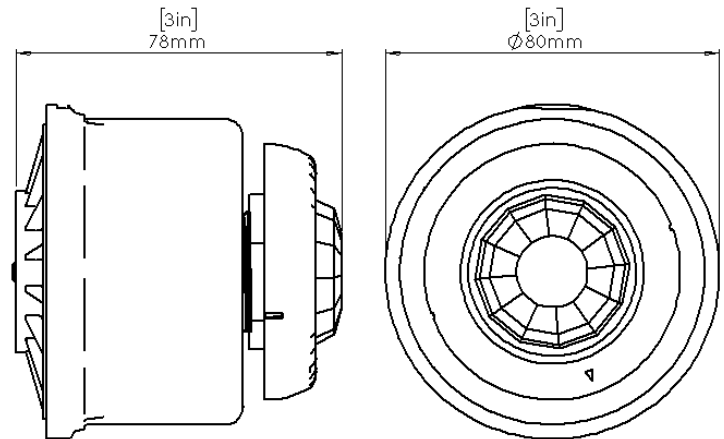
Relay Control: High control output can be used to trigger relays or other control circuitry.

How to Order

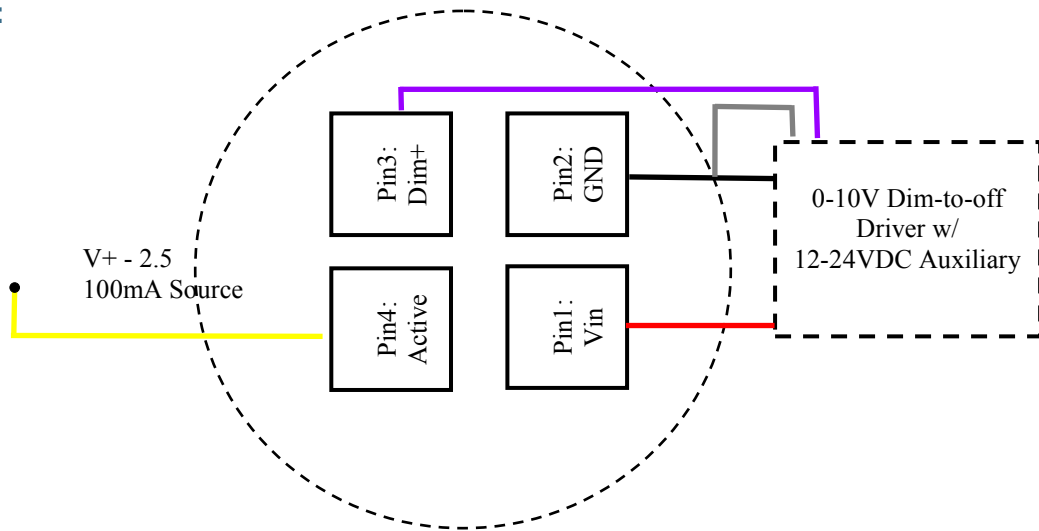
Model No.	Description	Input Voltage	Output	Input
PSC-BL-M-Z-DC0-BLE(-XX)	Bluetooth® Mesh PIR Sensor w/ 0-10V Dimming and Relay Drive Output	12-24VDC	Control High 0-10V Dimming	

Summary	
Product Type	Wireless BLE Fixture Controller
Input Voltage	12-24 VDC
0-10V Sink	100 mA Max
High	Vin-2.5 V 100 mA source
Sensor Input	12VDC Input
Operating Temperature	-40° C to 70°C
Storage Temperature	-40° C to 85°C
Ingress Protection	IP 65 Rated
Mounting	Zhaga Compatible Receptacle
Color	White/Black
Warranty	5 years
Certification	

Physical Dimensions



Wireless Diagram:



Detection Area for 40ft Mounting Height

